

Specification sheet LX 1394

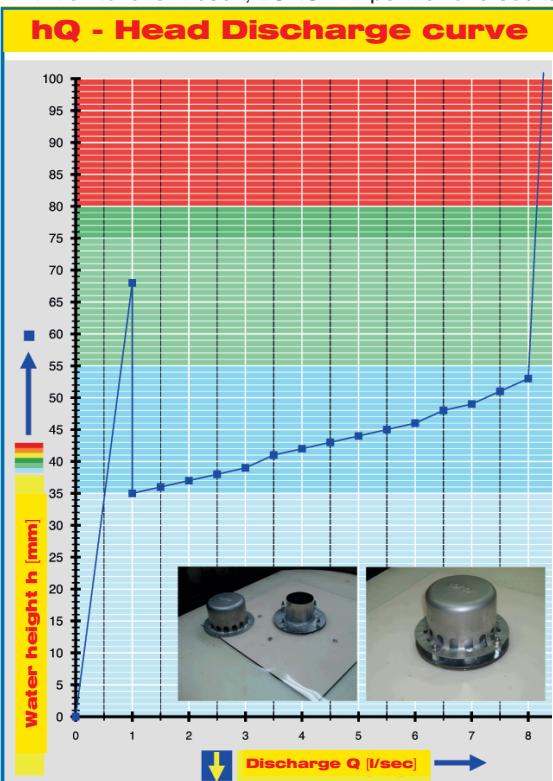
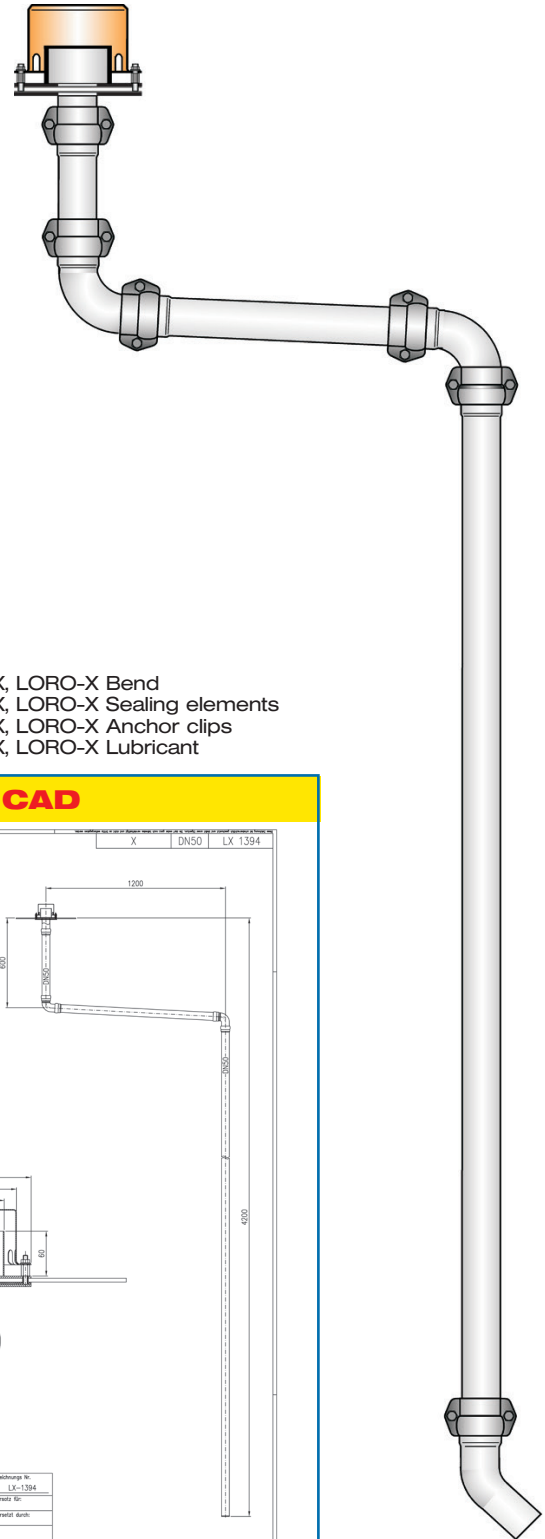
Roof drainage systems LORO-DRAINJET[®] Mini DN 50 for Box gutter with 300 mm

Emergency drainage	
Siphonic flow	
Silent Power	
Discharge rate:	8,0 l/sec
Water height:	75 mm
Roof penetration:	-
Diameter:	DN 50
LX-Number:	LX 1394
Weir height:	60 mm
Drain:	not ventilated
Downpipe:	not ventilated
Downpipe height:	4,2 m
Drainage:	on floor
Flangeform:	clamping flange

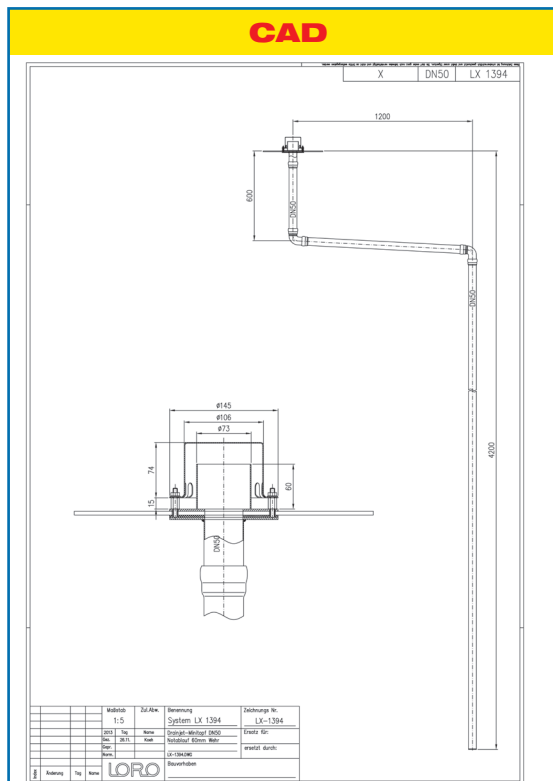
LX 1394 Piece list

- 1 x Art.-No. 21117.050X, DRAINJET[®] Mini DN 50
- 2 x Art.-No. 00350.050X, LORO-X Bend
- 1 x Art.-No. 01401.050X, LORO-X Pipe with one socket
- 1 x Art.-No. 01201.050X, LORO-X Pipe with one socket
- 1 x Art.-No. 01011.050X, LORO-X Pipe with one socket

- 1 x Art.-No. 00320.050X, LORO-X Bend
- 3 x Art.-No. 00911.050X, LORO-X Sealing elements
- 1 x Art.-No. 00806.050X, LORO-X Anchor clips
- 1 x Art.-No. 00986.000X, LORO-X Lubricant



Systempower

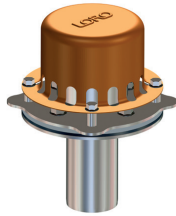


Systemshape

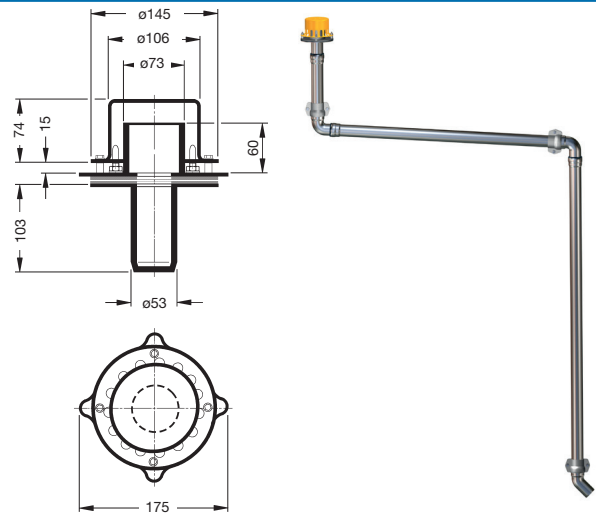
Water height	mm	5	10	15	20	25	30	35	40	45	50	55	60	65	70	75
Discharge	l/sec														8,0	8,0
Silent																

LORO-DRAINJET® Mini, DN 50

LORO-X DRAINJET® Mini
with clamping flange for
Box gutter
Drain: Art.-No. 21117.050X



LX1394-5X



Single-part
LORO-X Bend with short radius,
made of hot-dip galvanised steel, DN 50
Art.-No. 00350.050X
Weight: 0,4 kg



Single-part
LORO-X Pipe with one socket
made of hot-dip galvanised steel, DN 50

250 mm long Art.-No. 01401.050X
1000 mm long Art.-No. 01201.050X
2500 mm long Art.-No. 01004.050X



Single-part
LORO-X Anchor clip,
made of hot-dip galvanised steel, DN 50
Art.-No. 00806.050X
Weight: 0,3 kg



Single-part
LORO-X Sealing element
Art.-No. 00911.050X
Weight: 0,6 kg

